

PM 1HBSM C

PRISM Tap Range Prism 1 Hole Bath Shower Mixer Chrome



Features:

- Long life ceramic cartridge for added durability and ease of use
- Metal fixing nut for added durability
- Easy to use lever handle
- Includes 1.75m hose, rub-clean anti-limescale handset and wall bracket
- Bath fill requires minimum operating pressure of 0.5 bar

Product Certifications:



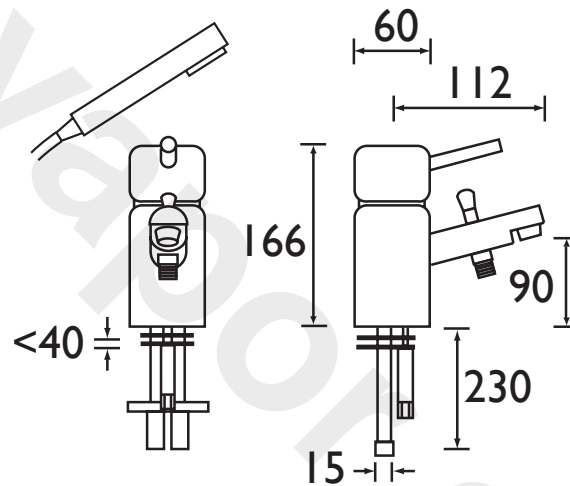
For more products, visit our website:
<http://www.bristan.com>



Specification

Product Type:	Taps
Main Construction Material:	Brass
Mount Type:	Deck
Handle Type:	Single Lever
Connection Inlet:	M16 x 300mm Copper Tails
Connection Outlet:	G 1/2"
Number of Tap Holes:	1
Valve/Cartridge Type:	45mm Cartridge
Plumbing System Requirements:	All, preferably balanced
Minimum Dynamic Pressure:	0.5 bar
Maximum Hot Water Temperature: °C	65
Maximum Static Pressure: (bar)	10
Isolation Included:	No

Dimensions (measurements in mm)



1750mm Hose, Rub Clean
Handset & Wall Bracket

Flow Rates (l/min)

System Pressure (bar)	0.2	0.5	1	2	3	5
Bath Filler	-	17.9	25.3	35.8	43.8	56.6
Handset	-	9.5	13.9	20.2	24.7	31.9

TECHNICAL
DATA
SHEET



BRISTAN

D5